

FSA系列多功能长螺旋钻孔机



FSA SERIES MULTIFUNCTION FULL SCREW EARTH AUGER



多功能长螺旋钻孔机通过配套的长螺旋钻具系统，旋转钻入地层时钻屑能够沿着螺旋叶片排出孔外从而形成桩孔。可以完成CFG工法的钻孔及压灌混凝土等施工工艺要求。长螺旋钻孔压灌桩适用于粘性土、粉土、砂土、人工填土的地基处理，对噪声或泥浆污染要求严格的场地，在多层住宅、高层和大型工业建筑中都可广泛使用，施工工艺绿色无污染。

多功能长螺旋钻孔机还可配套气动潜孔锤跟管钻进系统，通过可扩孔的潜孔锤钻头将套管带入地层，并用高压空气将破碎的岩屑及砂土吹离孔底从而形成桩孔。可以完成入岩钻孔、引孔等施工工艺要求。该系统通常用在含有岩石并且容易塌孔的复杂地层。

Multi-function Full Screw Earth Auger through the supporting long auger drilling system, drilling cuttings can be rotated into the formation along the spiral blade out of the hole to form a pile hole. Can complete the CFG method of drilling and compaction concrete and other construction technology requirements. Full Screw Pressure filling pile is suitable for the foundation treatment of clay soil, silt soil, sand soil and artificial fill soil. It is widely used in multi-storey residential buildings, high-rise buildings and large industrial buildings where noise or mud pollution is strictly required. The construction process is green and pollution-free.

Multi-function full screw earth auger can also be equipped with pneumatic downhole hammer and pipe drilling system, through the expandable downhole hammer bit to bring the casing into the formation, and use high pressure air to blow the broken debris and sand away from the hole bottom to form a pile hole. Complete the drilling into the rock, hole and other construction technology requirements. The system is commonly used in complex formations that contain rocks and tend to collapse.

FSA系列多功能长螺旋钻孔机参数表SPECIFICATIONS FSA series Multifunction Full Screw Earth Auger

| 项目 Item | | 单位 Unit | FSA180R | FSA220R |
|---|---|---------|---|---|
| 最大成桩直径 Max. pile diameter | | mm | Φ600、Φ700、Φ800 | Φ600、Φ700、Φ800、Φ1000 |
| 螺旋钻杆基本长度 Drill pipe length | | m | 2、6、10 | 2、6、10 |
| 动力头 Power Unit | 电机额定功率 motor rated power | kW | 90×2 (8P变频Frequency) | 110×2 (8P变频Frequency) |
| | 钻杆额定转速 Rated drill pipe speed | r/min | 9.95 (0~19.9) | 9.15 (0~18.3) |
| | 钻杆额定扭矩 Rated drill pipe torque | KN.m | 172.7 | 229.59 |
| | 滑轮个数 unit sheaves | pcs | 4 | 4 |
| | 导轨中心到滑轮中心距离 Center distance between guide and sheave | mm | 655、800、945 | 655、800、945 |
| | 重量 Weight | t | 约 (About) 9.1 | 约 (About) 9.5 |
| 导轨中心到钻杆中心距离 Distance of Rod Center to Guide Center | | mm | 1000 | 1000 |
| 导轨中心距 Center distance between guides | | mm | 600、1000 | 600、1000 |
| 钢丝绳直径 Diameter of wire rope | | mm | Φ22 | Φ22 |
| 配用浆、气管接头尺寸 Joint for cement and air hose | | | Φ125mm | Φ125mm |
| 配套桩架 Supporting piling rig | | | 不低于SPR115、JB160 Not less than SPR115、JB160 | 不低于SPR135、JB170 Not less than SPR135、JB170 |

技术参数的更改恕不另行通知 Specifications are subjected to change without prior notice.

上海工程机械有限公司 SHANGHAI ENGINEERING MACHINERY CO., LTD.

地址：上海市宝山区杨南路258号 (201901) Add: No.258 Yangnan Road Shanghai, China (201901)

销售热线 Sales Tel: 021-56776562/ 56656718

电子邮箱 E-mail: sales@semw.com | 网址 Web site: www.semw.com

技术特点FEATURES:

1 采用变频电机, 调速方便, 性能稳定

Frequency conversion motor, speed adjustment is convenient, performance is stable

选用变频电机, 满足施工过程中对钻杆调速的要求。并且电机是针对钻孔机而设计的专用电机, 具有高起动转矩和高过载能力, 机械强度高, 性能稳定, 能承受施工作业中可能遇到的振动与冲击, 适应在各种地质条件下工作, 保证施工顺利进行。

Variable frequency motor meets the requirement of speed regulation of drill pipe during construction. The motor is special designed for drilling machines. It has high starting torque, high overload capacity, high mechanical strength, stable performance, and can withstand vibration and impact that may be encountered in construction. It is suitable for working under various geological conditions to ensure smooth construction.

2 配套长螺旋钻具系统施工高效、绿色环保

Long auger drilling system, Construction efficiency, green environmental protection

地质适应性强, 施工无噪声、无振动、无排污, 没有大量泥浆制配和处理带来的环境污染; 钻孔桩身质量好、单桩承载力高; 施工速度快、设备造价低。

Strong geological adaptability, no noise, no vibration, no pollution, no large amount of mud preparation and treatment of environmental pollution; The quality of bored pile is good and the bearing capacity of single pile is high. The construction speed is fast, the equipment cost is low.

3 配套气动潜孔锤跟管系统可入岩施工、套管护壁

The equipped pneumatic downhole hammer and pipe drilling system can case pipe wall protection in the rock

在岩石等复杂地层, 钻具对孔壁撞击率低, 套管护壁防止坍塌; 高压空气排渣, 孔底干净, 无二次破碎, 工效显著。

In rock and other complex formations, the impact rate of drilling tools on the hole wall is low, and the casing protects the wall to prevent collapse; High pressure air discharge slag, hole bottom clean, no secondary crushing, significant work efficiency.

4 智能化控制系统稳定、可靠, 操作便捷

The intelligent control system is stable, reliable and convenient to operate

通过配套上工机械的桩架设备, 采用稳定的智能控制系统, 便捷的操作手柄和按键快速实现动力头的升降及钻具的调速, 并通过人机界面显示当前工作状态, 有效降低操作人员的工作强度。

By supporting the pile-frame equipment of SEMW, the stable intelligent control system is adopted, and the convenient operating handle and keys are used to quickly realize the lifting of the power head and the speed adjustment of the drill, and the current working status is displayed through the man-machine interface, effectively reduce the working intensity of the operator.

适应桩型APPLICABLE PILES: 钻孔灌注桩、咬合桩、钢管桩、钢管复合桩、压灌桩、CFG、CFA桩等。

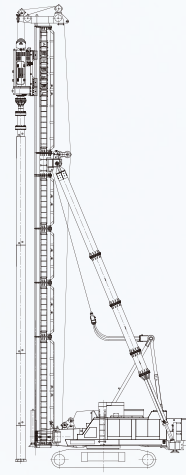
board pile, occlusive pile, steel-pipe pile, steel pipe composite pile, pumping board pile, CFG pile, CFA drilling etc.

适用地层APPLICABLE PILES: 各种土层、砂层、卵砾石层、漂砾石层、各种岩层、回填层等。

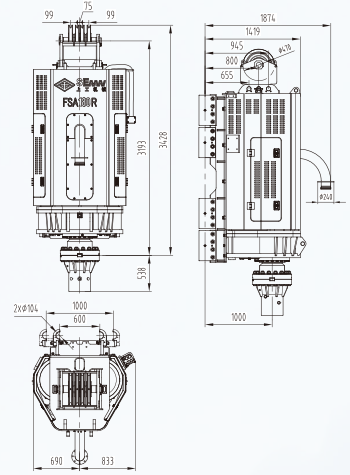
Applicable stratum: All kinds of soil layers, sand seam, gravel layer, boulder layer and all rock layers etc.

适用桩径孔径BORE DIAMETER: $\Phi 600\text{mm}$ 、 $\Phi 700\text{mm}$ 、 $\Phi 800\text{mm}$ 、 $\Phi 1000\text{mm}$ 。

履带桩架挂FSA钻机 潜孔锤跟管钻进施工



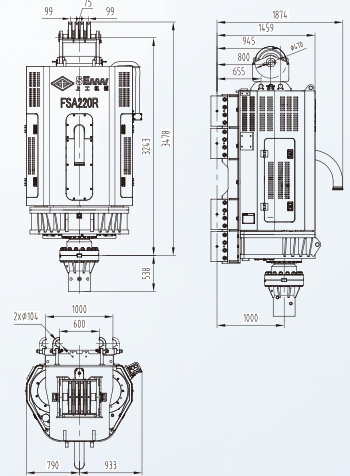
FSA180R 多功能长螺旋钻孔机



履带桩架挂FSA钻机 长螺旋法施工



FSA220R 多功能长螺旋钻孔机



上海工程机械厂有限公司 SHANGHAI ENGINEERING MACHINERY CO., LTD.

地址: 上海市宝山区杨南路258号 (201901) Add: No.258 Yangnan Road Shanghai, China (201901)

销售热线 Sales Tel: 021-56776562/ 56656718

电子邮箱 E-mail: sales@semw.com | 网址 Web site: www.semw.com